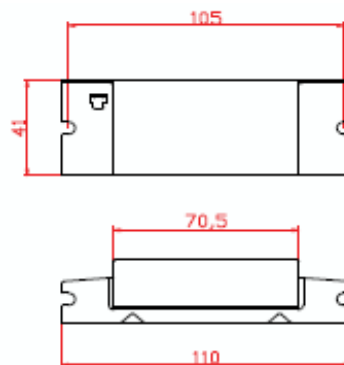


DK Compact Electronic Ballasts High Frequency Ballasts for Compact Fluorescent Lamps

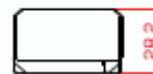
- British manufacture and design
- Power factor correction to comply with all current specifications for EMC and harmonics
- Precise preheat control for improved lamp life
- Enhanced thermal characteristics for cooler running
- Compact design fits on standard choke footprint
- Operates on 220V - 240V AC/DC
- Failed lamp safety shut down eliminates end of life flicker

Lamp Types

TC-S, TC-D, TC-DD, T5, TC-T, TC-L and T8



DK**



Part number	DK
AC voltage range	220-240V
Mains frequency range	AC/DC, 50-60Hz
Power factor	>0.95
Max. case temperature Tc	75°C
Ambient temperature range	-10°C to 50°C
Weight	190g
Safety standard compliance	BS EN 61347

DK range	Lamp
DK13	TC-S 7, TC-S9, TC-D10, TC-DD10, TC-S11, TC-D13, 6-13W T5, 14W T5, 16W TC-DD
DK18	TC-D18, TC-T18
DK18L	TC-L18, T8 18W
DK22-T5	21-22W T5
DK26	TC-L24, TC-D26, TC-T26
DK28	28W 2D
DK32	TC-T32
DK38	TC-F36, TC-L36, T8 36W, 38W 2D
DK213	2x TC-S7, 2x TC-S9, 2x TC-D10, 2x TC-S11, 2x TC-D13, 2x 6-13W T5, 2x 14W T5
DK218L	2x TC-L 18